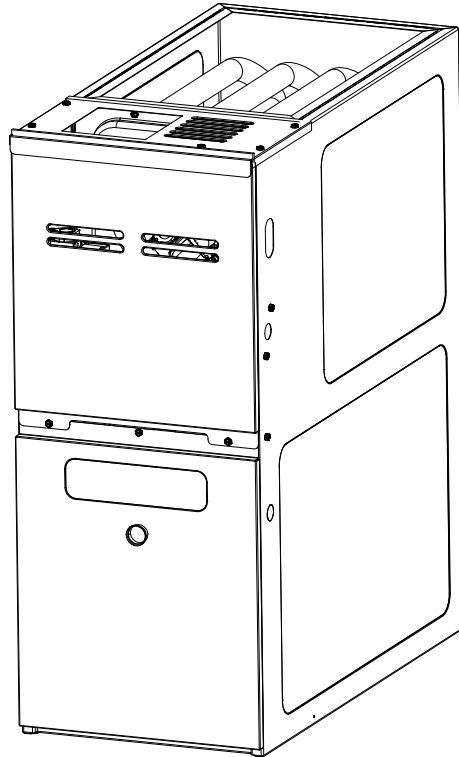


# REPAIR PARTS

## GME8 80% Upflow Furnace

---

GME80703BXC  
GME80703BXC  
GME80905CXC  
GME80905CXC  
GME81155CXC  
GME81155CXC



This manual is to be used by qualified technicians only.

This manual replaces RP-575

© 2009-2010 Goodman Manufacturing Company, L.P. ♦ 5151 San Felipe, Suite 500 ♦ Houston, TX 77056

# Important Information

---

## Index

Functional Parts List .....	3
Illustration and Parts .....	4 - 9

*Views shown are for parts illustrations only, not servicing procedures.*

Revision A: Added "CB" models with 2-stage Honeywell gas valve.

### Text Codes:

AR - As Required

NA - Not Available

NS - Not Shown

00000000 - See Note

QTY - Quantity Example (QTY 3) (If Quantity not shown, Quantity = 1)

M - Model Example (M1) (If M Code not shown, then part is used on all Models)

### Expanded Model Nomenclature:

Example M1 - Model#1 M2 - Model#2 M3 - Model#3
---

Goodman Manufacturing Company, L.P. is not responsible for personal injury or property damage resulting from improper service. Review all service information before beginning repairs.

Warranty service must be performed by an authorized technician, using authorized factory parts. If service is required after the warranty expires, Goodman Manufacturing Company, L.P. also recommends contacting an authorized technician and using authorized factory parts.

Goodman Manufacturing Company, L.P. reserves the right to discontinue, or change at any time, specifications or designs without notice or without incurring obligations.

For assistance within the U.S.A. contact:  
Consumer Affairs Department  
Goodman Manufacturing Company, L.P.  
7401 Security Way  
Houston, Texas 77040  
877-254-4729-Telephone  
713-863-2382-Facsimile

For assistance outside the U.S.A. contact:  
International Division  
Goodman Manufacturing Company, L.P.  
7401 Security Way  
Houston, Texas 77040  
713-861-2500-Telephone  
713-863-2382-Facsimile

# Functional Parts

## Part

## No: Description:

---

0131M00177	BLOWER MOTOR 1 HP (M3, M4)
0131M00178	BLOWER MOTOR 1 HP (M5, M6)
0131M00176	BLOWER MOTOR 1/2 HP (M1, M2)
B1368047A	BLOWER WHEEL 10 X 10 (M3, M4, M5, M6)
B1368016S	BLOWER WHEEL 10 X 8 (M1, M2)
0130F00010	FLAME SENSOR
0151M00014	GAS VALVE - HONEYWELL 2-STAGE (M2, M4, M6)
0151F00000P	GAS VALVE - WHITE-RODGERS 2-STAGE (M1, M3, M5)
PCBBF122S	IGNITION BOARD, HSI INTEGRATED 2-STG
B4022700	INSHOT BURNER ASSY 3" (QTY AR)
B1370818	INTERLOCK SWITCH
10123529	MANUAL RESET LIMIT (QTY 2)
10716003	ORIFICE (QTY AR)
0130F00041	PRESSURE SWITCH (M5, M6)
B1370179	PRESSURE SWITCH (M3, M4)
B1370142	PRESSURE SWITCH 0.60" WC (M1, M2)
20162903	PRIMARY LIMIT - BLUE
0130F00038	PRIMARY LIMIT - LT BLUE 120°
0130F00008S	SINI IGNITOR
B1141605	TRANSFORMER 120V TO 24V, 40 VA
0131M00002S	VENT MOTOR

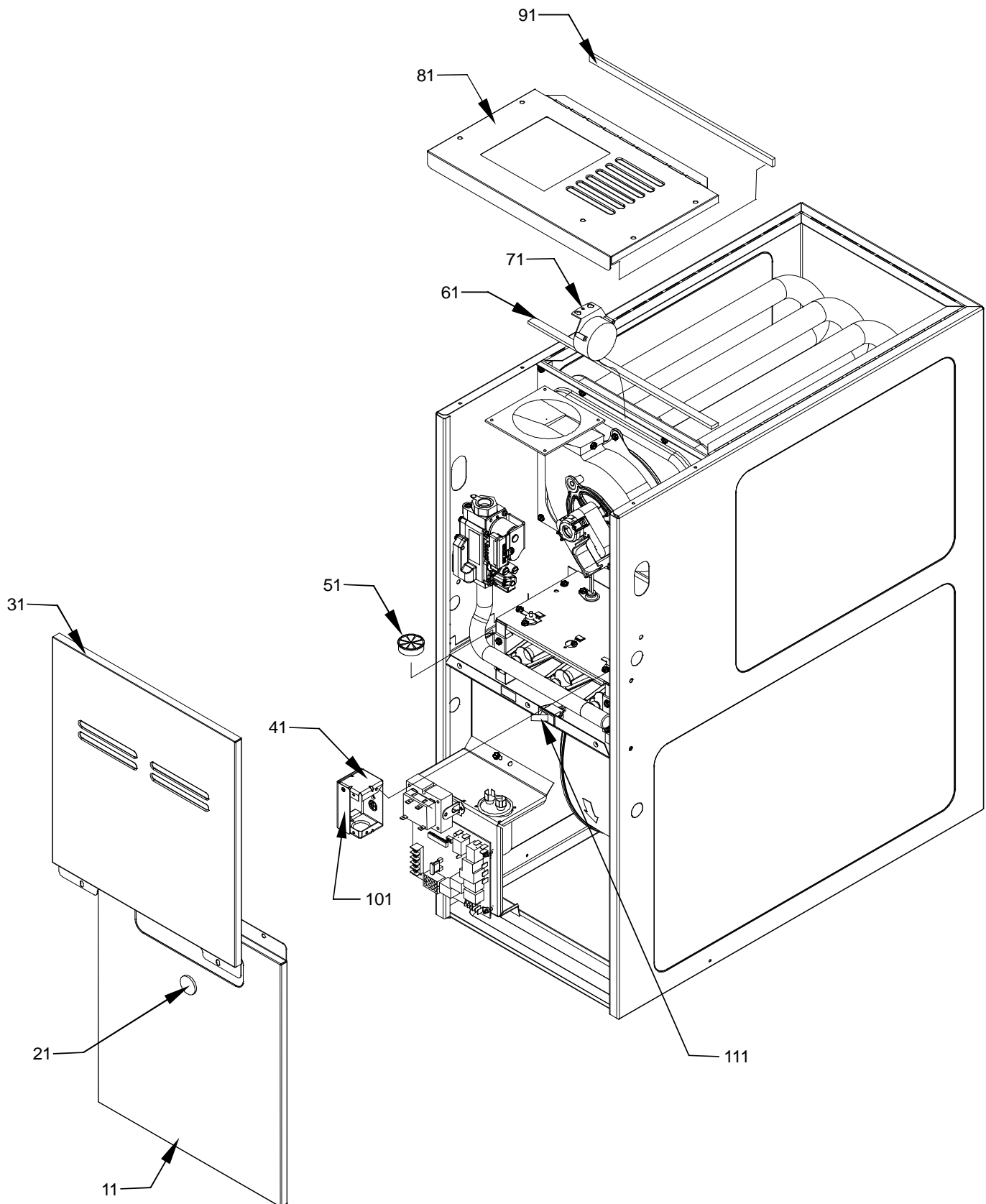
## SPECIAL PARTS

0259F00053	12-PIN WIRE HARNESS ASSY
0130M00073	ECOTECH POWER HARNESS
0130M00072	ECOTECH SPEED HARNESS
0161F00007	GOODMAN NAMEPLATE
HI-115B	HOMEOWNERS INSTRUCTIONS
0259F00051	IGNITOR WIRE HARNESS ASSY
IO-669	INSTALL-HUMIDIFIER
IO-359E	INSTR, INSTALL & OPER (M2, M4, M6)
IO-359D	INSTR, INSTL & OPER (M1, M3, M5)
0259F00050	KIT, WIRE HYBRID FURN

## Expanded Model Nomenclature

M1 - GME80703BXCA
M2 - GME80703BXC
M3 - GME80905CXCA
M4 - GME80905CXC
M5 - GME81155CXCA
M6 - GME81155CXC

# Cabinet



# Cabinet

Ref. Part No: No:	Description:	Ref. Part No: No:	Description:
-------------------	--------------	-------------------	--------------

Image 1:

11	0121F00123DGS	BLOWER DOOR, 17.5" (M1, M2)
11	0121F00124DGS	BLOWER DOOR, 21" (M3, M4, M5, M6)
21	B1392139	VIEW PORT BUSHING-BLOWER DOOR
31	0121F00119DGS	CONTROL ACCESS DOOR 17.5" (M1, M2)
31	0121F00120DGS	CONTROL ACCESS DOOR 21" (M3, M4, M5, M6)
41	4014502	J-BOX
51	B1392147	UNIVERSAL BUSHING WITH SLICE
61	B13926112	SEAL STRIP, 1/8 X 1/2 X 17.5 (M1, M2)
61	B13926113	SEAL STRIP, 1/8 X 1/2 X 21 (M3, M4, M5, M6)
71	0130F00041	PRESSURE SWITCH (M5, M6)
71	B1370179	PRESSURE SWITCH (M3, M4)
71	B1370142	PRESSURE SWITCH 0.60" WC (M1, M2)
81	0121F00142DG	TOP 17.5" (M1, M2)
81	0121F00143DG	TOP 21" (M3, M4, M5, M6)
91	B13926111	SEAL STRIP, 1/8 X 1/2 X 14 (M3, M4, M5, M6)
101	4015502	J-BOX COVER
111	B1370818	INTERLOCK SWITCH
NS	0259F00053	12-PIN WIRE HARNESS ASSY
NS	0161F00007	GOODMAN NAMEPLATE
NS	0259F00051	IGNITOR WIRE HARNESS ASSY
NS	0259F00050	KIT, WIRE HYBRID FURN

Expanded Model Nomenclature

M1 - GME80703BXCA
M2 - GME80703BXC
M3 - GME80905CXCA
M4 - GME80905CXC
M5 - GME81155CXCA
M6 - GME81155CXC

# Heat Exchanger Assy

Image 1

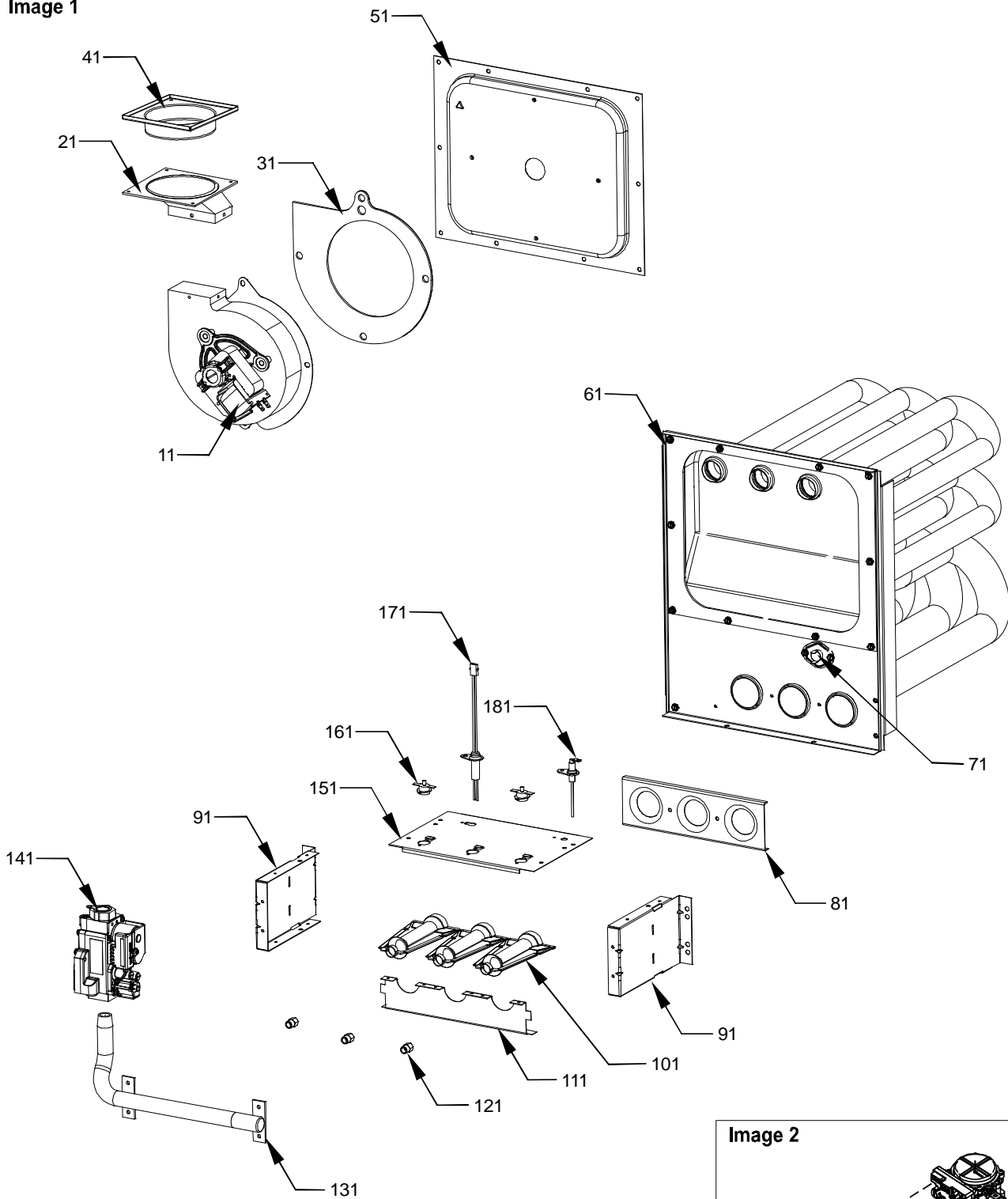
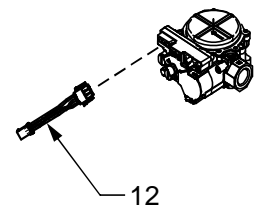


Image 2



# Heat Exchanger Assy

Ref. Part No: No:	Description:	Ref. Part No: No:	Description:
-------------------	--------------	-------------------	--------------

*Image 1:*

11	0131M00002S	VENT MOTOR
21	0128F00006	CHIMNEY TRANSITION BOTTOM
31	0154F00004	VENT MOTOR GASKET 17.5" (M1, M2)
31	0154F00005	VENT MOTOR GASKET 21" (M3, M4, M5, M6)
41	4023500	CHIMNEY TRANSITION TOP
51	0121F00128	FLUE COLLECTOR BOX KIT 17.5" 1.75 DIA (M1, M2)
51	0121F00130	FLUE COLLECTOR BOX KIT 21" 2.25 DIA (M3, M4, M5, M6)
61	0270F00903	HEAT EXCHANGER ASSY (M5, M6)
61	0270F00929	HEAT EXCHANGER ASSY (M1, M2)
61	0270F00930	HEAT EXCHANGER ASSY (M3, M4)
71	20162903	PRIMARY LIMIT - BLUE
81	4028001	ORIFICE SHIELD 3 CELL (M1, M2)
81	4028002	ORIFICE SHIELD 4 CELL (M3, M4)
81	4028003	ORIFICE SHIELD 5 CELL (M5, M6)
91	0121F00146	BURNER BOX SIDE (QTY 2)
101	B4022700	INSHOT BURNER ASSY 3" (QTY AR)
111	0121F00168	BURNER BRACKET 3B (M1, M2)
111	0121F00169	BURNER BRACKET 4B (M3, M4)
111	0121F00170	BURNER BRACKET 5B (M5, M6)
121	10716003	ORIFICE (QTY AR)
131	0120F00009	MANIFOLD (M5, M6)
131	0120F00017	MANIFOLD (M1, M2)
131	0120F00018	MANIFOLD (M3, M4)
141	0151M00014	GAS VALVE - HONEYWELL 2-STAGE (M2, M4, M6)
141	0151F00000P	GAS VALVE - WHITE-RODGERS 2-STAGE (M1, M3, M5)
151	0121F00163	BURNER BOX TOP 3 CELL (M1, M2)
151	0121F00164	BURNER BOX TOP 4 CELL (M3, M4)
151	0121F00165	BURNER BOX TOP 5 CELL (M5, M6)
161	10123529	MANUAL RESET LIMIT (QTY 2)
171	0130F00008S	SINI IGNITOR
181	0130F00010	FLAME SENSOR

*Image 2:*

12	0259M00004	WIRE HARNESS, ADAPTOR (M2, M4, M6)
----	------------	------------------------------------

Expanded Model Nomenclature

M1 - GME80703BXCA
M2 - GME80703BXC
M3 - GME80905CXCA
M4 - GME80905CXC
M5 - GME81155CXCA
M6 - GME81155CXC

# Blower and Control Panel

Image 1

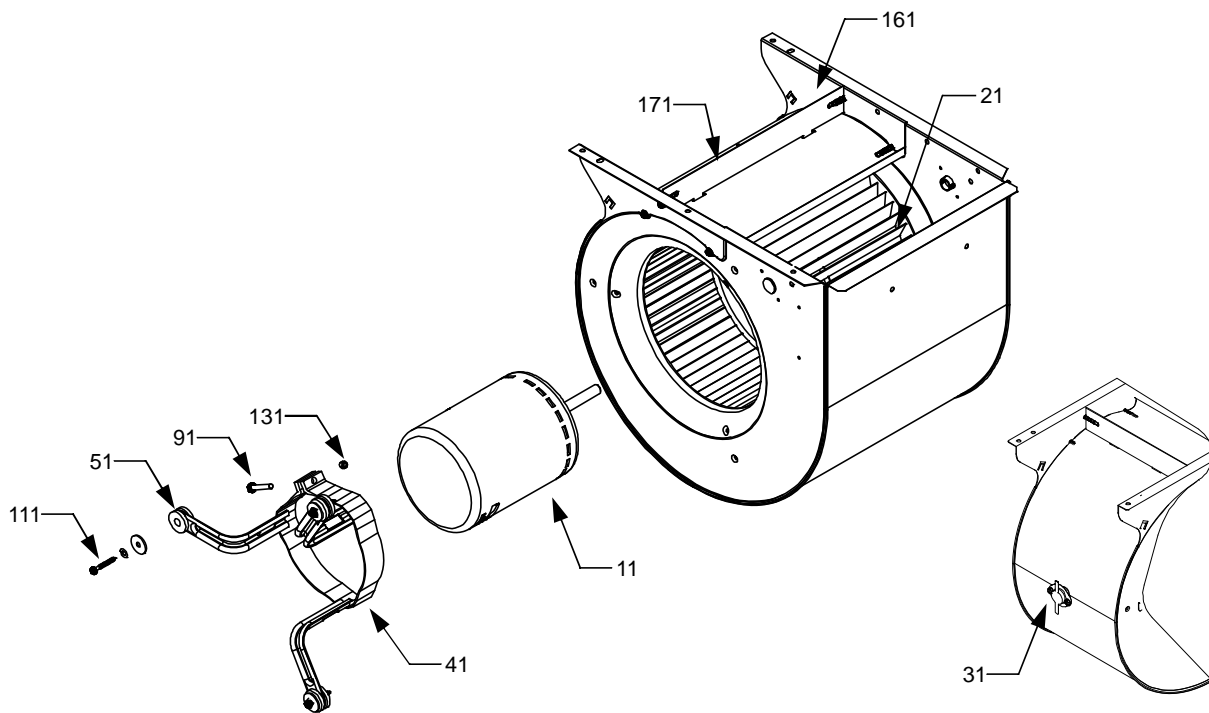
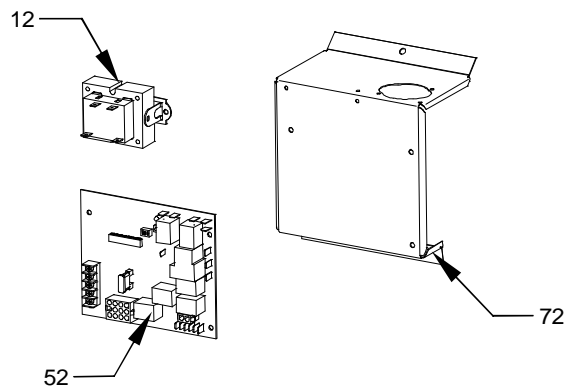


Image 2





# Blower and Control Panel

Ref. Part No:	Part No:	Description:	Ref. Part No:	Part No:	Description:
---------------	----------	--------------	---------------	----------	--------------

*Image 1:*

11	0131M00177	BLOWER MOTOR 1 HP (M3, M4)
11	0131M00178	BLOWER MOTOR 1 HP (M5, M6)
11	0131M00176	BLOWER MOTOR 1/2 HP (M1, M2)
21	B1368047A	BLOWER WHEEL 10 X 10 (M3, M4, M5, M6)
21	B1368016S	BLOWER WHEEL 10 X 8 (M1, M2)
31	0130F00038	PRIMARY LIMIT - LT BLUE 120°
41	0121M00038	MOTOR MOUNT BAND
51	B1376853	MOTOR MOUNT ARM (QTY 3)
91	B1393323	MACHINE SCREW HWH 1/4-20 X 1-1/2 BZ
111	M0250565	TC SCREW 1.25" (QTY 3)
131	B1393800	LOCKNUT, NYLON, INSERT 1/4, 20
161	2539307S	BLOWER HOUSING 10 X 10 (M3, M4, M5, M6)
161	2539306S	BLOWER HOUSING 10 X 8 (M1, M2)
171	764741F	BLOWER BLOCK-OFF 10 X 10 (M3, M4, M5, M6)
171	764740F	BLOWER BLOCK-OFF 10 X 8 (M1, M2)
NS	0130M00073	ECOTECH POWER HARNESS
NS	0130M00072	ECOTECH SPEED HARNESS

*Image 2:*

12	B1141605	TRANSFORMER 120V TO 24V, 40 VA
52	PCBBF122S	IGNITION BOARD, HSI INTEGRATED 2-STG
72	1815817	CONTROL MOUNT PANEL

Expanded Model Nomenclature

M1 - GME80703BXCA
M2 - GME80703BXC
M3 - GME80905CXCA
M4 - GME80905CXC
M5 - GME81155CXCA
M6 - GME81155CXC

**THIS PAGE INTENTIONALLY LEFT BLANK**